



Installation, Operation, and Maintenance Information

Air Cooled Condensers
8-2016 Rev 0

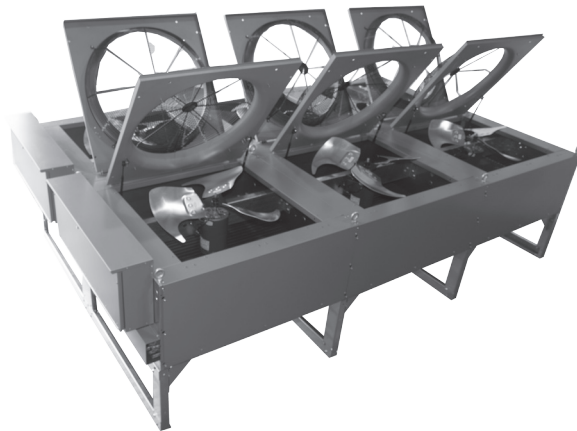


Table of Contents

General Safety Information	2
Inspection	2
Installation	2 – 6
Rigging and Assembly	2
Unit Location	3
Piping Recommendations	4 – 6
Discharge Lines	4 – 5
Liquid Lines	5
Multiple Condensers	6
Routing of Piping	6
Head Pressure Control Options and Charge Calculations	6 – 11
Flooded Condenser Head Pressure Control Option	6 – 7
Refrigeration Charge Calculation	7 – 8
Splitting Controls	8
Fan Cycling Control Option	9 – 10
Fan Speed Control Option	10
Flooded Condenser Option with Fan Cycling	10 – 11
Wiring Diagrams	11 – 12
Start-Up Procedure	12
Maintenance	13
Dimensional Drawings	14 – 15
Replacement Parts	16
Service Record	16

Replacement parts: www.parts@htpgusa.com

GENERAL SAFETY INFORMATION

1. Installation and maintenance are to be performed only by qualified personnel who are familiar with this type of equipment.
2. Make sure that all field wiring conforms to the requirements of the equipment and all applicable national and local codes.
3. Avoid contact with sharp edges and coil surfaces. They are potential injury hazards.
4. All power sources must be disconnected prior to any servicing or maintenance of this unit. After disconnecting power, allow 5 minutes for capacitor discharge before servicing motors.
5. Refrigerant recovery devices must be used during installation and service of this equipment. It is illegal for some refrigerants to be released into the atmosphere.

INSPECTION

Check all items against the bill of lading to make sure all crates or cartons have been received. If there is any damage, report it immediately to the carrier and file a claim. Make sure the voltage on the unit nameplate agrees with the power supply available.

INSTALLATION - Rigging and Assembly

Leave the units in the carton or on the skid until they are as close as possible to the installation location. Never lift any of the units by the headers, return bends, or electrical boxes. All condensers are provided with lifting points located on the top panel. The actual method of rigging depends on the equipment available, the size of the unit, and where the unit is to be located. It is up to the installer to decide the best way to handle each unit. A spreader bar **must always** be used and should be at least as long as the distance between the lifting points. Utilize all lifting points. Failure to use all lifting points will void the condenser warranty.

Rig the units as shown in Figure 1 & 2. Unbolt the unit from the skid and lower into normal operating position, making sure the coil surface is not damaged.

Fig 1: Single Wide Rigging

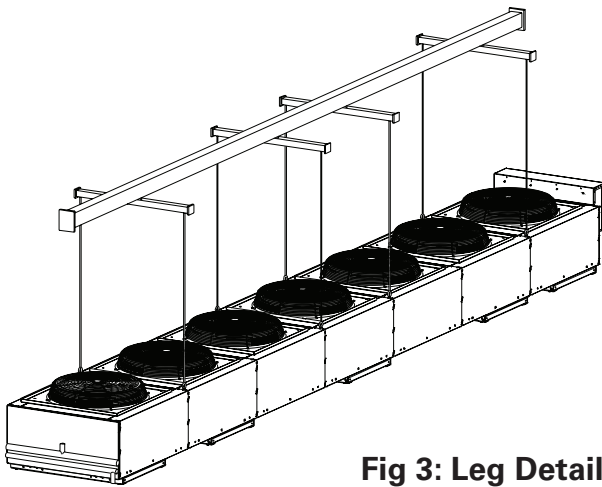


Fig 2: Double Wide Rigging

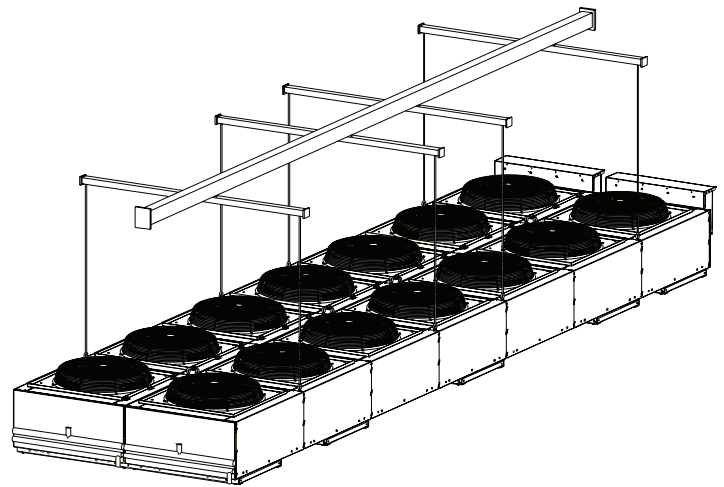
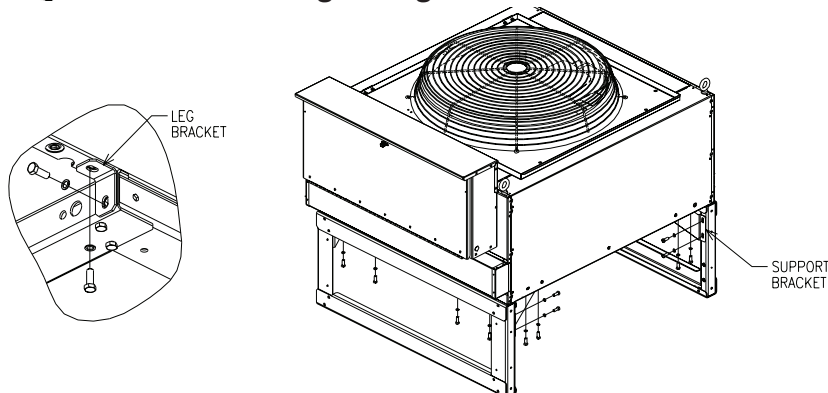


Fig 3: Leg Detail*



*Remove any lag bolts from the condenser to the shipping skid. Remove the leg retaining bolts and brackets. With the condenser elevated the legs will fold down into place. Install leg brackets and bolts per the detail below.

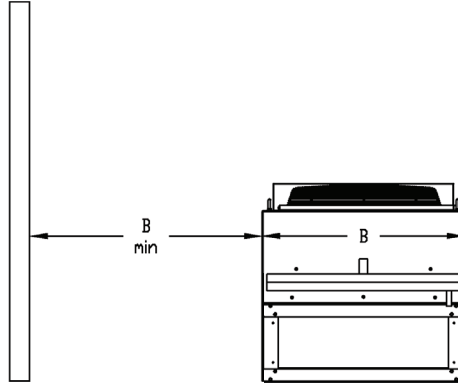
Unit Location - General

These units are designed for outdoor applications. All units must be installed level for proper drainage of liquid refrigerant and oil. When units are installed on a roof, they must be mounted on support beams that span load walls. Ground mounted units should be installed on concrete pads. When selecting a location for an air-cooled condenser, be sure to allocate space for maintenance and service work.

Note: A wind load analysis has determined these multi-refrigerant air cooled condensing units are in accordance with ASCE/SEI 7-10, Florida Building Code Fifth Edition (2014) for the following location: Miami, Dade County, Florida.

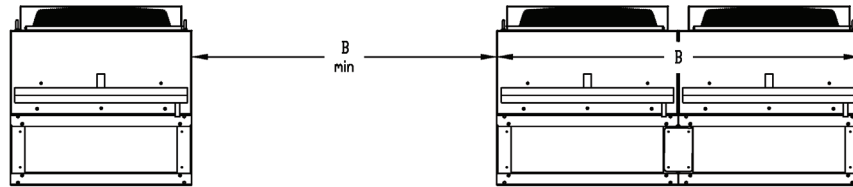
Space Requirements

All sides of the condenser should be no closer than the width of the unit, B , to a wall or other obstruction. If the unit is surrounded by more than 2 walls, it should be treated as an installation in a pit.



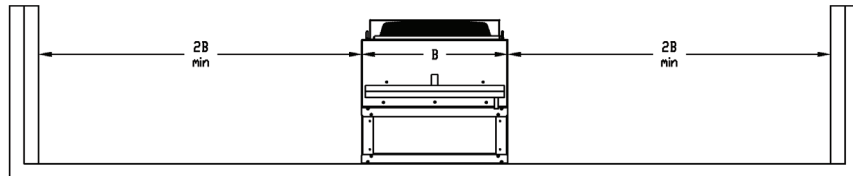
When units are installed side by side, the distance between them should be at least the width of the larger unit, B . If units are installed end to end, the minimum distance between them should be 4 feet.

Fig 5: Other Units



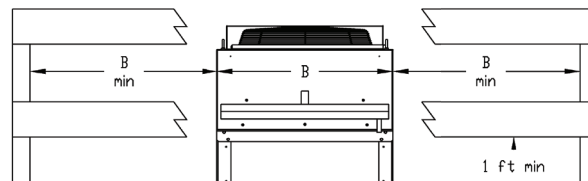
If a unit is to be located in a pit, the height of the walls of the pit must not exceed the unit height. If the walls do exceed the height of the unit, stacks must be installed so that the discharge air exits above the walls. The distance between the unit and wall should be at least twice the width of the unit.

Fig 6: Installation in a Pit



Fences surrounding condensers must be a minimum distance of B , the width of the unit, from the condenser. The fence must have 50% free area or more and cannot exceed the height of the unit. The distance between the bottom of the fence and the ground must be at least 1 ft. If the free area of the fence is less than 50%, requirements for installation in a pit apply.

Fig 7: Decorative Fences



PIPING RECOMMENDATIONS

The following are general guidelines for routing and sizing lines to air-cooled condensers. For further information please consult the ASHRAE Handbook or other accepted piping handbooks.

Discharge Lines : Consider the following three issues when designing and sizing discharge lines.

1. Pressure Drop

Lines should be sized for a reasonable pressure drop. Pressure drop increases the required horsepower per ton of refrigeration and decreases the compressor capacity. Table 2 shows discharge line capacities for pressure drop equivalent to 1° F per 100 feet of line.

Table 2: Discharge Line Sizing

Line Size O.D. Type L Tubing	Discharge Line Capacity* (MBH @ Evaporator)														
	R-404A R-507			R-407A R-407C			R-410A			R-22			R-134A		
	Saturated Suction Temperature, °F														
	-40	0	40	-40	0	40	-40	0	40	-40	0	40	-40	0	40
1/2	7	8	9	9	10	11	14	15	16	9	10	10	5	6	7
5/8	14	16	18	17	18	20	26	28	30	17	18	19	11	12	13
7/8	36	41	47	44	49	53	69	74	78	44	47	50	29	32	35
1 1/8	72	84	94	89	98	106	140	150	158	90	96	102	59	65	71
1 3/8	126	145	164	155	171	185	243	261	275	157	168	178	101	113	125
1 5/8	198	229	258	245	270	292	383	412	434	248	265	281	161	179	197
2 1/8	408	473	532	506	557	603	791	849	895	514	548	582	332	370	408
2 5/8	718	833	936	893	984	1064	1391	1494	1574	905	965	1025	587	653	719
3 1/8	1143	1326	1490	1422	1566	1695	2215	2380	2508	1442	1538	1634	934	1040	1146
3 5/8	1695	1965	2210	2106	2319	2510	3282	3527	3716	2141	2283	2425	1392	1548	1704

* Based on Condensing temperature of 105°F for other condensing temperatures, multiply by the appropriate correction factor listed in table 3. Source: ASHRAE Refrigeration Handbook

* Based on pressure drop equivalent to 1°F per 100 ft. of line run.

2. Oil Trapping

Lines must be sized and routed so that oil is carried through the system. Normally, sizing according to Table 2 will be satisfactory. However, when the condenser is located at a higher level than the compressor, it may be necessary to take special precautions, especially if the system is designed to operate at reduced compressor capacity.

A vertical hot gas line sized to transport oil at minimum load conditions may have excessive pressure drop at full load. If this is the case, a double hot gas riser, as shown in Figure 7 should be used. Size Riser No. 1 for the minimum load condition. Size Riser No. 2 so that the combined cross-sectional area of both risers is equal to the cross-sectional area of a single riser having acceptable pressure drop at full load.

Install a trap between the two risers, as shown in Figure 8. During partial load, the trap will fill up with oil until riser Number 2 is sealed off. Keep the trap as small as possible to limit its oil holding capacity.

Table 3: Discharge Line Correction Factor

Condensing Temp °F	Discharge Line					
	R-404A	R-507	R-407A R-407C	R-410A	R-22	R-134A
80	0.87	0.87	0.79	0.82	0.79	0.87
90	0.92	0.92	0.87	0.89	0.88	0.92
100	0.97	0.98	0.96	0.96	0.95	0.98
110	1.01	1.01	1.04	1.03	1.04	1.01
120	1.03	1.01	1.11	1.10	1.10	1.01
130	1.04	1.02	1.18	1.16	1.18	1.02

3. Compressor Head Protection

Discharge lines should be designed to prevent condensed refrigerant and oil from draining back to the compressor during off cycles. Use the following guidelines:

- A. The highest point in the discharge line should be above the highest point in the condenser coil. A purge valve should be located at this point.
- B. The hot gas line should loop to the floor if the condenser is located above the compressor, especially if the hot gas riser is long.
- C. If the condenser is located where the ambient temperature could be higher than the ambient at the compressor location, a check valve should be installed in the hot gas line.
- D. A check valve should be installed in each discharge line of a multiple compressor arrangement to prevent refrigerant from an active compressor from condensing on the heads of an idle compressor.

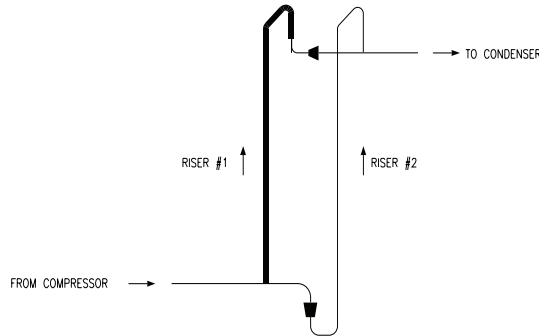


Figure 8: Double Hot Gas Riser

Liquid Lines

Liquid lines from the receiver to the expansion valve can generally be sized for pressure drop equivalent to a 1° F to 2° F change in saturation temperature. If there is substantial sub cooling, or the line is short, it can be sized at the high end of this range. If the opposite is true, a more conservative selection should be made. A receiver, if used in the system, should be located below the condenser and the condenser-to-receiver liquid line must be sized to allow free drainage from the condenser to the receiver. This line should be sized so the velocity does not exceed 100 FPM. Generous sizing of this liquid (condensate) line is especially important if the receiver is exposed at any time to a warmer ambient temperature than the condenser. It must be large enough for the liquid to flow to the receiver and at the same time allow venting of refrigerant vapor in the opposite direction back to the condenser. The receiver can become vapor-locked under these conditions if the re-evaporated gas is not allowed to flow back to the condenser for re-condensation. All liquid (condensate) lines should be free of any traps or loops.

Table 4 shows liquid line capacity in evaporator MBH. Line sizing is shown for both condenser-to-receiver lines and receiver-to-expansion valve lines. All capacities are for 100 equivalent feet of tubing. The selections based on pressure drop are for an equivalent to a 1° F change in saturation temperature. They can be converted to capacities based on a 2° F equivalent drop by using the factor given below the table. See Table 5 for the weight of refrigerant in liquid, suction and discharge lines.

See Table 5 for the weight of refrigerant in liquid, suction and discharge lines.

Table 4: Liquid Line Sizing

Line Size O.D. Type L Tubing	Net Refrigerating Effect (MBH)									
	Condenser to Receiver Piping*					Receiver to Expansion Valve Piping†				
	R-404A R-507	R-407A R-407C	R-410A	R-22	R-134A	R-404A R-507	R-407A R-407C	R-410A	R-22	R-134A
1/2	16	25	24	28	26	31	46	55	43	33
5/8	25	41	38	44	41	58	85	103	80	63
7/8	52	83	80	94	85	152	224	271	218	168
1 1/8	88	142	137	158	145	307	224	550	444	341
1 3/8	135	216	209	242	221	535	455	956	776	600
1 5/8	190	306	295	342	313	846	794	1511	1230	943
2 1/8	331	533	514	595	544	1752	1256	3128	2556	1956
2 5/8	510	822	792	918	839	-	-	-	-	-
3 1/8	728	1172	1130	1310	1200	-	-	-	-	-
3 5/8	985	1586	1529	1774	1620	-	-	-	-	-

*Based on 100 FPM refrigerant velocity.

† Based on refrigerant pressure drop of 1°F per 100 feet of line.

Table 5: Weight of Refrigerant in 100 Feet of Line (LBS)

Line Size O.D. Type L Tubing	Liquid Line						Suction Line						Discharge Line					
	110°F						40°F						115°F					
	R-404A	R-407A R-407C	R-410A	R-22	R-134A	R-507	R-404A	R-407A R-407C	R-410A	R-22	R-134A	R-507	R-404A	R-407A R-407C	R-410A	R-22	R-134A	R-507
5/8	9.7	10.6	9.8	11.3	11.5	9.6	0.3	0.2	0.3	0.2	0.2	0.4	1.2	0.9	1.2	0.8	0.6	1.3
7/8	20.1	22.0	20.3	23.4	23.8	19.8	0.6	0.4	0.7	0.5	0.4	0.8	2.4	2.0	2.5	1.6	1.2	2.7
1 1/8	34.3	37.6	34.5	39.8	40.5	33.8	1.1	0.7	1.6	0.9	0.6	1.3	4.1	3.3	4.2	2.8	2.1	4.6
1 3/8	52.3	57.2	52.6	60.7	61.7	51.5	1.6	1.1	1.1	1.3	0.9	2.0	6.2	5.1	6.4	4.2	3.2	7.0
1 5/8	74.0	81.0	74.5	85.9	87.3	72.9	2.3	1.6	1.6	1.9	1.3	2.9	8.8	7.2	9.1	6.0	4.6	10.0
2 1/8	128.7	140.9	129.6	149.4	151.9	126.8	4.0	2.8	2.8	3.3	2.3	5.0	15.4	12.5	15.9	10.4	8.0	17.4
2 5/8	198.4	217.3	199.8	230.4	234.3	195.5	6.2	4.3	4.3	5.0	3.5	7.7	23.7	19.3	24.4	16.1	12.3	26.8
3 1/8	283.3	310.2	385.2	328.9	334.4	279.0	8.8	6.1	6.1	7.2	5.0	11.0	33.8	27.5	34.9	22.9	17.6	38.2
3 5/8	383.1	419.6	385.7	444.8	452.3	377.4	11.9	8.2	8.2	9.7	6.7	14.8	45.8	37.2	42.7	31.0	23.8	51.7

Multiple Condensers

Often two condensers are piped in parallel to the same refrigeration system. It is important that the units have approximately the same capacity so that the pressure drop through each is equal. The piping should be arranged so that the lengths of runs and bends to each are equal on both the inlet and outlet of the condensers. A drop leg should be included from each liquid outlet of sufficient height to prevent backup of liquid into one coil. This will overcome any difference in pressure drop that may exist between the two coils.

Routing of Piping

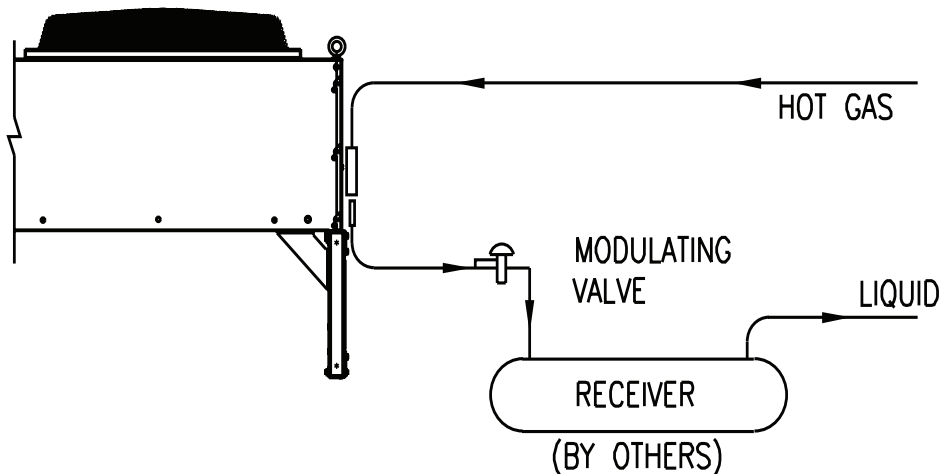
Piping should be routed to avoid excessive strain on system components or the piping itself. Discharge lines must be supported with rigid pipe supports to prevent transmission of vibration and movement of the line. The discharge line should be well supported near the condenser hot gas connection. Use offsets in inter-connecting lines between two condensers and provide isolation where pipes pass through building walls or floors.

HEAD PRESSURE CONTROL OPTIONS AND CHARGE CALCULATIONS

Flooded Condenser

The Flooded Condenser Head Pressure Control Option maintains adequate condensing pressure while operating in low ambient temperatures. By flooding the condenser with liquid refrigerant, the amount of coil surface available for condensing is reduced. The resulting reduction in capacity ensures proper operation of the thermal expansion valve.

Figure 9: Flooded Condenser Valve Piping



This option requires a modulating three-way valve, dependent on refrigerant discharge pressure, be placed at the condenser outlet. A fall in ambient temperature causes a corresponding fall in discharge pressure. The valve modulates allowing discharge gas to flow to the receiver, creating a higher pressure at the condenser outlet. This higher pressure reduces the flow out of the condenser, causing liquid refrigerant to back up in the coil. Flooding the condenser reduces the available condensing surface and raises the condensing pressure so that adequate high-side pressure is maintained. Various types and combinations of flooding control valves are available. Contact the valve manufacturer for specific recommendations.

A larger receiver and additional refrigerant are required for systems with flooded condenser control. The receiver can be conveniently installed directly under the condenser in most applications. However, if the system will be operational in ambient temperatures below 55° F, the receiver should be located in a warm environment or heated. In this situation, a check valve must be installed in the line between the receiver and condenser. This prevents refrigerant migration from the receiver to the condenser.

The amount of additional refrigerant charge is based on the lowest expected winter operating temperature and the design TD. In addition to the condenser charge, the operating charges of the evaporator, receiver and refrigerant lines must be added to determine the total system refrigerant charge. The pump-down capacity (80% of full capacity) of the receiver must be at least equal to the total system charge.

Table 6 shows the standard summer condenser charge when using R-407A. The additional charge required for flooded condenser operation with a design TD of 15°F is also shown. Additional charge for alternate design TDs can be found using the correction factors in Table 7.

For flooded condenser control only,

Total Charge = Summer charge (Table 6) + additional charge (Table 6) × design TD correction factor (Table 7)

EXAMPLE: SINGLE SECTION UNIT WITH FLOODED CONDENSER HEAD PRESSURE CONTROL

Given:

A RDD030*B2 Condenser with a R-407A summer charge of 26.2lbs. (See Table 5) has a design TD of 10° F and will operate at a minimum ambient of 0° F.

Solution:

The additional charge needed to operate at 0° F can be found in Table 5 (69.0 lbs.). Because the unit has a design TD of 10° F, the additional charge must be multiplied by a correction factor of 1.04 as shown in Table 7.

Therefore, the required additional charge is : $69.0 \times 1.04 = 71.8$ lbs.

The total operating charge for a minimum ambient of 0° F and a 10° design TD is $26.2 + 71.8 = 98.0$ lbs.

EXAMPLE: MULTI-SECTION UNIT WITH FLOODED CONDENSER HEAD PRESSURE CONTROL

Given:

A RDS012 condenser split into two sections. One section has 22 face tubes of R-404A at a 10°TD and the other section has 14 face tubes of R-407A at a 15°TD. The unit will operate at a minimum ambient of 20° F.

Solution:

To calculate the winter charge for each section, the summer charge and additional charge for low ambient must be found. The summer charge can be calculated by multiplying the number of face tubes in the section by the charge per face tube value in Table 6. Next, divide the number of face tubes in the section by the total number of face tubes and multiply by the additional charge required for a minimum ambient of 20° F. Make sure to apply correction factors for design TDs other than 15° and for refrigerants other than R-407A. Adding the summer charge and additional charge for low ambient will yield the total winter charge.

For the R-404A section, the summer charge is $22 \text{ tubes} \times 0.25 \times 0.92$ lbs. (404A correction factor) per face tube = 5.06 lbs. The additional charge equals the ratio of tubes in the section to total tubes times the additional charge at 20° F with a 15° FTD times the TD correction factor from Table 6, or $22/36 \times 20.8 \times 1.05 \times .92 = 12.26$ lbs. The winter charge is $5.06 + 12.26 = 17.32$ lbs

For the R-407A section, the summer charge is $14 \times 0.25 = 3.5$ lbs. The additional charge calculation also requires the use of the correction factor. The additional charge is $14/36 \times 20.8 = 8.08$ lbs. The winter charge is $3.5 + 8.08 = 11.58$ lbs.

Table 6: Additional Refrigerant Charge for Flooded Condensers

Unit Size				Number of Face Tubes	R-407A, R448A, R449A*		Additional Charge Required for Low Ambient Temperatures, 15°F Design TD†				
Motor Speed (RPM)					Charge Per Face Tube (Lbs.)	Total Summer Charge (Lbs.)	Minimum Ambient Temperature (°F)				
1140	850 1.5 HP	850 1 HP	550				60	40	20	0	-20

SINGLE FAN-WIDTH UNITS

Unit	Unit	Unit	Unit	36	Charge Per Face Tube (Lbs.)	Total Summer Charge (Lbs.)	60	40	20	0	-20
004	004	004	004		0.12	4.5	6.4	9.0	10.5	11.4	12.2
006	005	006	005		0.19	6.6	9.9	13.8	15.8	17.2	18.4
007	007	008	006		0.25	8.8	13.1	17.4	19.9	22.6	23.8
012	010	010	008		0.25	8.8	12.9	18.1	20.8	22.8	24.4
015	014	012	011		0.37	13.3	19.8	27.6	31.6	34.6	36.8
018	015	015	012		0.49	17.7	26.2	34.8	39.9	45.0	47.6
022	021	019	016		0.56	19.9	29.8	41.4	47.4	51.8	55.3
027	024	023	018		0.74	26.5	39.2	52.2	59.8	67.6	71.4
030	028	026	021		0.74	26.6	39.8	55.3	63.3	69.0	73.7
036	032	030	025		0.98	35.3	52.3	69.5	79.8	90.1	95.3
039	035	032	028		1.54	55.5	87.5	121.0	138.3	150.6	160.7
047	043	040	032		2.10	75.9	101.6	148.0	173.4	191.6	206.1
056	052	048	040		2.53	91.0	121.9	177.7	208.1	230.0	247.3
065	060	056	046	2.95	106.2	142.2	207.2	242.7	268.2	288.5	

DOUBLE FAN-WIDTH UNITS

Unit	Unit	Unit	Unit	72	Charge Per Face Tube (Lbs.)	Total Summer Charge (Lbs.)	60	40	20	0	-20
022	019	017	016		0.25	17.7	25.8	36.2	41.7	45.7	48.8
030	028	026	021		0.37	26.6	39.8	55.3	63.3	69.0	73.7
036	031	030	025		0.49	35.3	52.3	69.5	79.8	90.1	92.0
045	041	038	032		0.56	39.9	105.0	145.2	166.0	180.8	188.1
054	048	046	037		0.74	53.0	78.5	104.4	119.6	135.2	142.8
059	055	051	043		0.74	53.2	79.5	110.4	126.5	138.1	147.4
072	065	060	050		0.98	70.6	104.6	139.2	159.5	180.3	190.4
078	069	063	055		1.54	110.9	175.1	242.0	276.6	301.4	321.4
094	086	080	063		2.10	151.7	203.2	296.0	346.8	383.2	412.2
113	103	097	080		2.53	182.0	243.8	355.2	416.2	459.9	494.6
131	121	113	093		2.95	212.3	284.5	414.4	485.6	536.5	577.2

† Based on 90°F Condensing Temperature

For refrigerants other than R407a, 448a, and R449a us the multipliers below:

- *For R22, multiply by 1.04
- *For R134A, multiply by 1.06
- *For R410A, multiply by 0.94
- *For R404A, multiply by 0.92

Table 7: Low Ambient Design TD Factors

Minimum Ambient Temperature (°F)	Design TD				
	30	25	20	15	10
60	0	0.40	0.76	1.00	1.24
40	0.73	0.84	0.92	1.00	1.09
20	0.86	0.92	0.95	1.00	1.05
0	0.91	0.94	0.97	1.00	1.04
-20	0.93	0.96	0.98	1.00	1.02

Splitting Controls

Condenser splitting controls assist in maintaining head pressure while minimizing the amount of refrigerant required for the system. A single condenser is split into two parallel circuits, allowing half of the condenser to be removed from the refrigerant circuit during low ambient operation. This is achieved by installing a three way solenoid valve at the condenser inlet, regulated by either a temperature sensing controller or pressure switch. Additional controls are required for the Splitting Control Option on double wide units to shut off the fan motors on the unused portion of the coil

Fan Cycling Control Option

The cycling of condenser fans provides an automatic means of maintaining condensing pressure control at low ambient air temperature conditions. It also results in substantial fan motor power savings in lower ambient. Temperature sensing thermostats or pressure controls determine whether the motor is on or off. The minimum ambient temperatures for units with the Fan Cycling Control Option can be found in Table 8.

The Fan Cycling Control Option consists of a weatherproof enclosure, fan contactors, and either ambient thermostat(s) or pressure control(s). The enclosure is factory mounted and completely factory wired. Power must be supplied from a fused disconnect switch to the power circuit terminal block; control circuit power must be supplied to the control terminal block.

Table 9 shows the recommended temperature set points for the thermostats. The recommended cut-in and differential settings for fan cycling using pressure controls are listed in table 10. Thermostat 1 is for the second fan from the header end, Thermostat 2 for the third fan from the header end, etc. The fan(s) nearest the header end must run continuously, and cannot be cycled.

Table 8: Minimum Ambient with Fan Cycling Control

# of Fans Long	Design TD*	Minimum Ambient Temp. (°F)	
		Without Fan Speed Control	With Fan Speed Control
2	30	35	10
	25	45	23
	20	54	37
	15	63	50
	10	72	63
3	30	15	-16
	25	28	2
	20	40	19
	15	53	37
	10	65	55
4	30	-2	-25
	25	13	-15
	20	28	6
	15	44	27
	10	59	48
5	30	-17	-25
	25	1	-25
	20	19	-5
	15	36	19
	10	54	42
6	30	-25	-25
	25	-10	-25
	20	10	-14
	15	30	12
	10	50	38
7	30	-25	-25
	25	-19	-25
	20	3	-22
	15	24	6
	10	46	34

*Based on approximately 90°F condensing temp.

Table 9: Recommended Fan Cycling T-Stat Settings

# of Fans Long	Design TD*	Thermostat Setpoint (°F)					
		1	2	3	4	5	6
2	30	60					
	25	65					
	20	70					
	15	75					
	10	80					
3	30	47	60				
	25	54	65				
	20	61	70				
	15	69	75				
	10	76	80				
4	30	35	51	60			
	25	45	58	65			
	20	54	64	70			
	15	63	71	75			
	10	72	77	80			
5	30	25	43	53	60		
	25	36	51	60	65		
	20	47	59	66	70		
	15	57	67	72	75		
	10	68	74	78	80		
6	30	15	35	47	55	60	
	25	28	45	54	61	65	
	20	40	54	61	66	70	
	15	53	63	69	72	75	
	10	65	72	76	78	80	
7	30	6	28	41	50	56	60
	25	20	39	49	56	61	65
	20	34	49	57	63	67	70
	15	48	59	66	70	73	75
	10	62	69	74	77	79	80

Thermostat set point is the temperature at which the fan(s) will shut off due to a fall in ambient temperature. Fan(s) will restart when the ambient temperature rises 3 to 4 ° above the set point.

Table 10: Recommended Fan Cycling Pressure Control Settings

# of Fans Long	Design TD	Ref. Type	Differential (PSIG)	Pressure Switch Control Setpoints* Cut In						
				1	2	3	4	5	6	
				Cut In (PSIG)	Cut In (PSIG)	Cut In (PSIG)	Cut In (PSIG)	Cut In (PSIG)	Cut In (PSIG)	
2	30	R22	85	250	—	—	—	—	—	—
		R407A	50	250	—	—	—	—	—	—
		R404A	55	260	—	—	—	—	—	—
		R410A	50	325	—	—	—	—	—	—
	20	R22	65	230	—	—	—	—	—	—
		R407A	30	230	—	—	—	—	—	—
		R404A	35	240	—	—	—	—	—	—
		R410A	35	310	—	—	—	—	—	—
	10	R22	35	200	—	—	—	—	—	—
		R407A	30	230	—	—	—	—	—	—
		R404A	35	240	—	—	—	—	—	—
		R410A	35	310	—	—	—	—	—	—
3	30	R22	105	260	270	—	—	—	—	—
		R407A	75	260	265	—	—	—	—	—
		R404A	80	270	280	—	—	—	—	—
		R410A	75	340	350	—	—	—	—	—
	20	R22	75	230	240	—	—	—	—	—
		R407A	45	230	240	—	—	—	—	—
		R404A	50	245	255	—	—	—	—	—
		R410A	45	300	310	—	—	—	—	—
	10	R-22	40	195	205	—	—	—	—	—
		R407A	35	220	230	—	—	—	—	—
		R404A	40	235	245	—	—	—	—	—
		R410A	35	300	310	—	—	—	—	—
4	30	R22	125	280	290	300	—	—	—	—
		R407A	105	280	290	300	—	—	—	—
		R404A	105	295	305	315	—	—	—	—
		R410A	140	395	405	415	—	—	—	—
	20	R22	105	260	270	280	—	—	—	—
		R407A	85	260	270	280	—	—	—	—
		R404A	85	275	285	295	—	—	—	—
		R410A	90	345	355	365	—	—	—	—
	10	R22	65	220	230	240	—	—	—	—
		R407A	35	210	220	230	—	—	—	—
		R404A	35	225	235	245	—	—	—	—
		R410A	80	335	345	355	—	—	—	—
5	30	R22	135	290	300	310	320	—	—	—
		R407A	125	300	315	325	330	—	—	—
		R404A	125	315	325	335	345	—	—	—
		R410A	155	410	420	430	440	—	—	—
	20	R22	120	275	285	295	305	—	—	—
		R407A	95	270	280	295	305	—	—	—
		R404A	95	285	295	305	315	—	—	—
		R410A	120	375	385	395	405	—	—	—
	10	R22	85	240	250	260	270	—	—	—
		R407A	60	240	250	260	265	—	—	—
		R404A	60	250	260	270	280	—	—	—
		R410A	45	300	310	320	330	—	—	—
6	30	R22	135	290	300	310	320	330	—	—
		R407A	130	305	315	330	340	350	—	—
		R404A	130	320	330	340	350	360	—	—
		R410A	175	430	440	450	460	470	—	—
	20	R-22	125	280	290	300	310	320	330	—
		R407A	115	290	300	320	320	335	—	—
		R404A	115	305	315	325	335	345	—	—
		R410A	165	420	430	440	450	460	—	—
	10	R22	100	255	265	275	285	295	—	—
		R407A	75	250	250	280	280	290	—	—
		R404A	75	265	275	285	295	305	—	—
		R410A	80	335	345	355	365	375	—	—
7	30	R22	150	305	315	325	335	345	355	—
		R407A	150	325	325	360	360	365	375	—
		R404A	150	340	350	360	370	380	390	—
		R410A	165	420	430	440	450	460	470	—
	20	R-22	145	300	310	320	330	340	350	—
		R407A	140	320	320	350	350	360	365	—
		R404A	140	330	340	350	360	370	380	—
		R410A	160	415	425	435	445	455	465	—
	10	R22	110	265	275	285	295	305	315	—
		R407A	95	270	270	300	300	315	320	—
		R404A	95	285	295	305	315	325	335	—
		R410A	105	360	370	380	390	400	410	—

* Set points shown will maintain a minimum of approximately 90°F Condensing Temperature.

Fan Speed Control Option (Only available in conjunction with Fan Cycling)

Variable fan speed control is designed to enhance the performance of the Fan Cycling Control Option by reducing the RPM and air volume of the lead (header end) fan motor(s) after all other (lag) fans have cycled off. The lead fan(s) must run continuously, even in the lowest ambient temperature. By reducing their CFM, adequate head pressure can be maintained at lower ambient temperatures without resorting to flooded condenser head pressure controls.

This option includes an inverter and pressure transducer. All components are factory mounted and wired. The controller decreases fan motor RPM as head pressure decreases.

See Table 8 for minimum ambient temperatures for units with both the Fan Cycling Control Option and Fan Speed Control Option.

Flooded Condenser Option With Fan Cycling
Fan Cycling can also be used in conjunction with the Flooded Control Option to greatly reduce the required operating change typical of flooded condenser operation. The additional charge needed for condensers equipped with the Fan Cycling and Flooded Condenser Controls operating in low ambient temperatures can be found in Table 11. For refrigerants other than R407A, R448A or R449A, see correction factors in the footnotes.

Table 11: Additional Charge for Flooded Condensers with Fan Cycling at Low Ambient Temperatures R

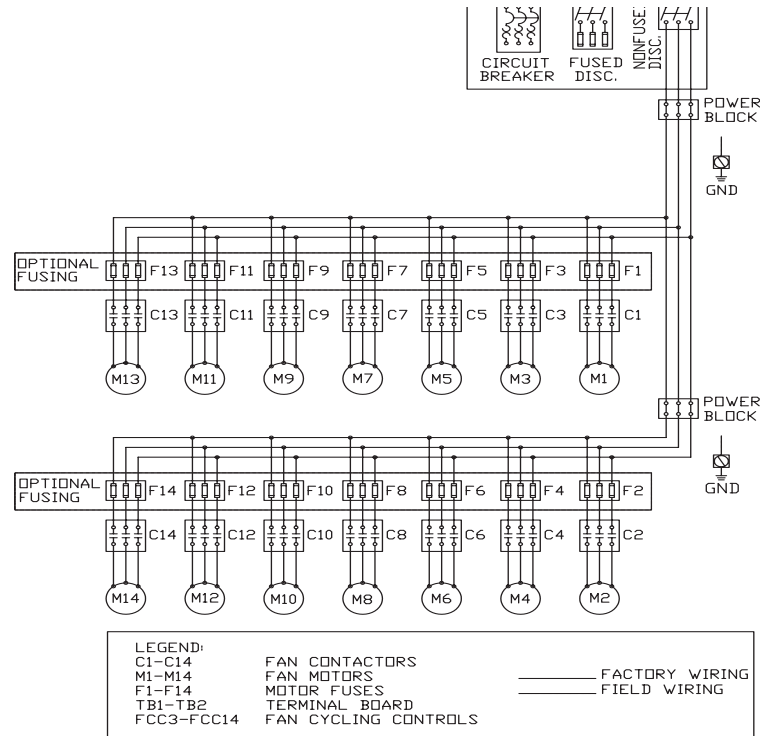
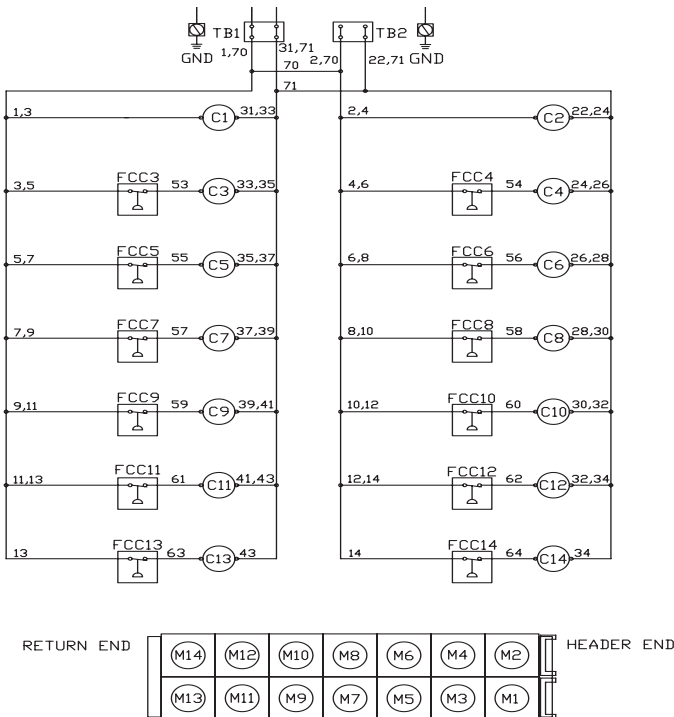
UNIT SIZE				Total Summer Charge (lbs)	10°F Design†				15°F Design†				20°F Design†				25°F Design†				30°F Design†							
Single Wide Units					Ambient Temp (°F)				Ambient Temp (°F)				Ambient Temp (°F)				Ambient Temp (°F)				Ambient Temp (°F)							
Motor Speed (RPM)					40	20	0	-20	40	20	0	-20	40	20	0	-20	40	20	0	-20	40	20	0	-20				
1140	850 1.5HP	850 1.0HP	550	012	010	010	008	8.8	18.9	21.5	23.3	24.9	15.2	19.1	21.5	23.3	11.9	16.8	19.7	21.9	7.7	14.2	17.9	20.4	3.3	11.2	15.7	18.7
				015	014	012	011	13.3	28.6	32.4	35.2	37.5	22.9	28.9	32.6	35.4	17.1	25.2	29.8	33.0	9.0	20.4	26.4	30.4	2.4	15.2	22.8	27.7
				018	015	015	012	17.7	38.9	43.9	47.5	7.0	32.0	39.9	44.7	48.3	24.0	35.0	41.1	45.3	11.4	28.9	37.0	42.2	2.4	22.3	32.9	39.2
				022	021	019	016	19.9	38.9	46.0	50.7	54.4	26.4	38.4	45.1	49.9	8.8	27.9	37.9	44.5	0.0	14.5	28.7	37.6	0.0	4.0	18.0	29.2
				027	024	023	018	26.5	52.3	61.9	68.2	73.1	31.4	50.5	60.2	70.2	5.0	32.7	49.2	58.9	0.0	10.9	32.4	47.4	0.0	0.3	14.7	31.9
				030	028	026	021	26.6	47.2	58.4	65.5	70.9	21.8	44.9	56.1	63.5	0.0	24.2	43.2	54.2	0.0	5.6	25.8	41.9	0.0	0.0	10.4	27.4
				036	032	030	025	35.3	61.5	78.0	87.7	94.9	0.0	34.6	65.9	80.4	0.0	15.4	47.6	67.4	0.0	0.0	16.6	41.6	0.0	0.0	0.0	17.5
				039	035	032	028	55.5	82.5	117.7	136.9	150.3	0.0	21.6	74.8	109.8	0.0	9.4	47.4	83.6	0.0	0.0	10.6	38.6	0.0	0.0	0.0	11.4
				047	043	040	032	75.9	90.8	151.9	180.2	199.0	0.0	7.3	59.6	128.6	0.0	0.0	27.0	75.8	0.0	0.0	0.0	18.3	0.0	0.0	0.0	0.0
				056	052	048	040	91.0	40.8	156.5	201.9	251.8	0.0	11.8	79.2	151.0	0.0	0.0	2.4	37.2	0.0	0.0	0.0	0.0	0.0	0.0	0.0	0.0
				065	060	056	046	106.2	7.8	138.4	215.6	254.4	0.0	0.0	38.7	118.2	0.0	0.0	0.0	13.1	0.0	0.0	0.0	0.0	0.0	0.0	0.0	0.0
Double Wide Units				022	019	017	016	17.7	37.7	42.8	46.7	49.7	30.4	38.0	42.9	46.7	23.8	33.6	39.5	43.8	15.6	28.4	35.6	40.8	6.5	22.5	31.5	37.5
				030	028	026	021	26.6	57.1	64.9	70.4	74.9	45.8	57.8	65.3	70.9	34.2	50.2	59.5	66.2	18.1	40.8	52.9	60.9	4.8	30.3	45.7	55.5
				036	031	030	025	35.3	77.9	88.0	95.2	101.0	64.1	79.8	89.4	96.6	48.0	70.1	82.1	90.7	22.9	57.7	74.0	84.5	4.8	44.7	65.8	78.4
				045	041	038	032	39.9	77.9	92.0	101.5	108.9	52.8	76.6	90.3	99.8	17.8	55.7	76.0	88.9	0.0	28.9	57.2	75.1	0.0	8.2	35.9	58.5
				054	048	046	037	53.0	104.6	123.9	136.5	146.4	62.8	100.9	120.3	140.3	9.9	65.5	98.3	117.7	0.0	21.7	64.9	94.5	0.0	0.7	29.5	64.0
				059	055	051	043	53.2	94.4	116.8	131.0	141.7	43.6	89.7	112.2	127.1	0.0	48.4	86.2	108.5	0.0	11.0	51.7	83.7	0.0	0.0	20.8	54.7
				072	065	060	050	70.6	123.0	156.0	175.5	189.9	0.9	69.1	131.9	160.9	0.0	30.8	95.4	134.8	0.0	0.0	33.2	83.3	0.0	0.0	0.0	35.1
				078	069	063	055	110.9	165.0	235.4	273.7	300.7	0.0	43.1	149.5	219.5	0.0	18.7	94.8	167.3	0.0	0.0	21.0	77.2	0.0	0.0	0.0	33.9
				094	086	080	063	151.7	181.6	303.9	360.4	398.1	0.0	14.6	119.1	257.1	0.0	0.0	54.0	151.5	0.0	0.0	0.0	36.6	0.0	0.0	0.0	0.0
				113	103	097	080	182.0	81.4	313.2	403.6	457.8	0.0	23.5	158.5	301.9	0.0	0.0	4.9	74.3	0.0	0.0	0.0	0.0	0.0	0.0	0.0	0.0
				131	121	113	093	212.3	15.7	276.8	431.1	508.8	0.0	0.0	77.5	236.3	0.0	0.0	0.0	26.3	0.0	0.0	0.0	0.0	0.0	0.0	0.0	0.0

† Based on 90°F Condensing Temperature

For refrigerants other than R407a, 448a, and R449a us the multipliers below:

- *For R22, multiply by 1.04
- *For R134A, multiply by 1.06
- *For R410A, multiply by 0.94
- *For R404A, multiply by 0.92

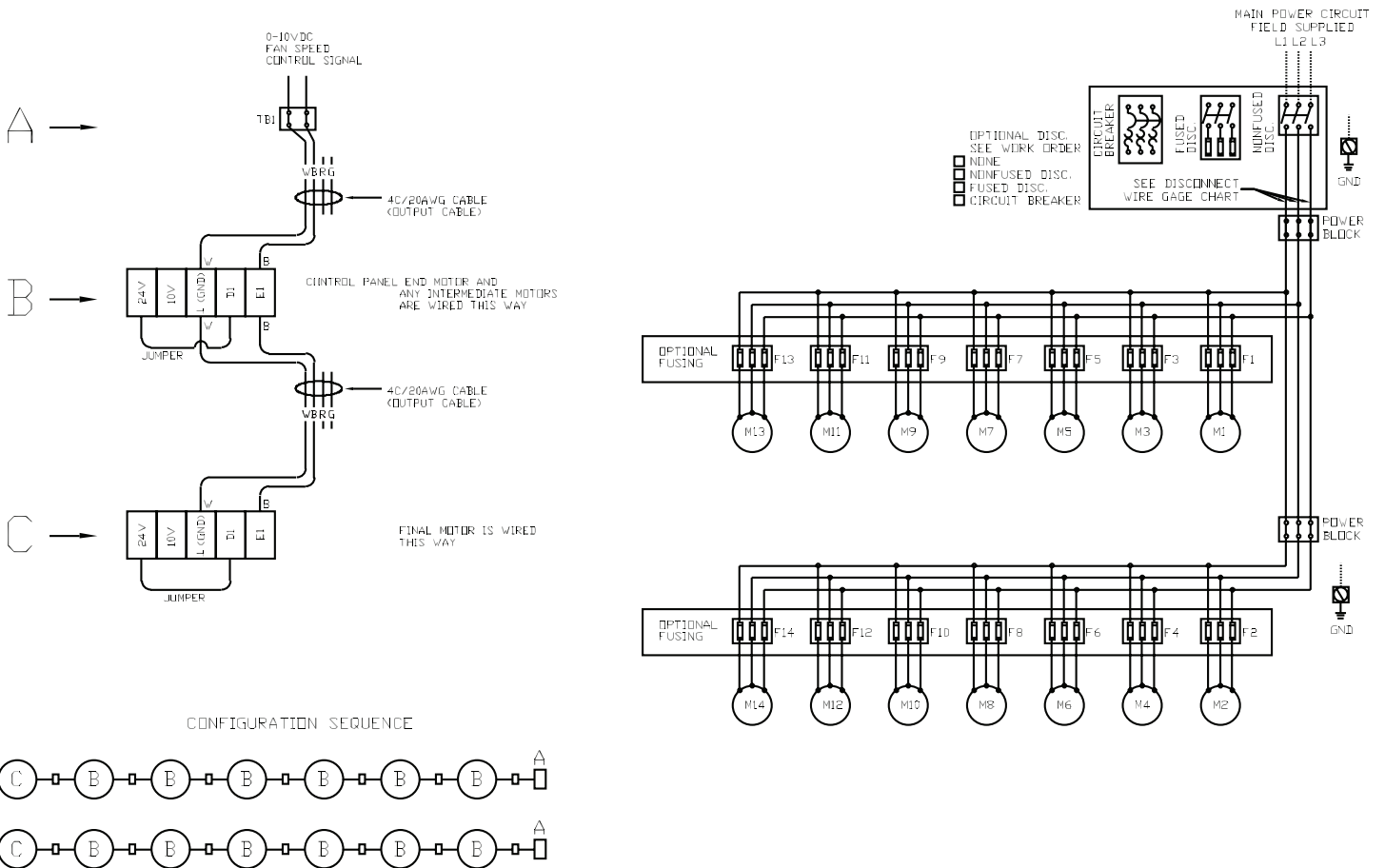
WIRING DIAGRAMS



* FCC3 - FCC14 are only present in units with Fan Cycling Control Option and can be either ambient temperature controls or pressure controls.

WIRING DIAGRAMS - continued

MOTOR CONTROL SIGNAL WIRING DETAILS DIRECT ACTING, PARALLEL SIGNAL



When splitting controls are used, odd numbered motors are all season, even numbered motors are split season. Reverse acting, parallel control signal circuit shown.

START-UP PROCEDURE

1. Make sure the condenser is wired as shown in the Field Wiring section of this bulletin and in accordance with applicable codes and local ordinances.
2. Make sure all electrical connections are tight.
3. Make sure the piping to the condenser is in accordance with the Refrigerant Piping information section of this bulletin and good piping practice.
4. Make sure all motors are mounted securely and all fan setscrews are tight.
5. Make sure all fans rotate freely.
6. Make sure the unit is located so that it has free access for proper air flow, see the Unit Location section of this bulletin.
7. After start-up, make sure all fans are rotating in the proper direction. Fans should draw air through the coil.

MAINTENANCE

GENERAL

Air-Cooled Condensers require very little maintenance. Keeping the coil surface clean and free of debris is important for extended life, peak performance, and corrosion resistance. It is also important to periodically check all electrical connections to make sure they are secure. All motors have permanently sealed ball bearings which do not require any maintenance.

Condenser coils should be cleaned every three months in coastal or industrial environments and every six months in all other environments.

ALWAYS BE CERTAIN THAT POW3ER TO THE CONDENSER FANS IS SHUT OFF AND LOCKED OUT BEFORE PROCEEDING WITH MAINTENANCE AND CLEANING!

Remove all large debris from the area under and around the condenser. Inspect the inlet face of the coil for damage caused by blowing debris. Comb out any bent fins with a fin coil.

Apply clean water from a garden hose with a spray wand to the outlet side of the coil, after using a soft-bristle brush or vacuum cleaner to remove dirt or other fibrous material. The use of high velocity water or compressed air could bend the coil surface, resulting in a decrease in performance. The use of coil agent cleaning agents is not recommended. If a cleaning agent is used, make sure it is non-acidic or non-caustic. If the coil is coated, make sure the cleaner is compatible with the coating.

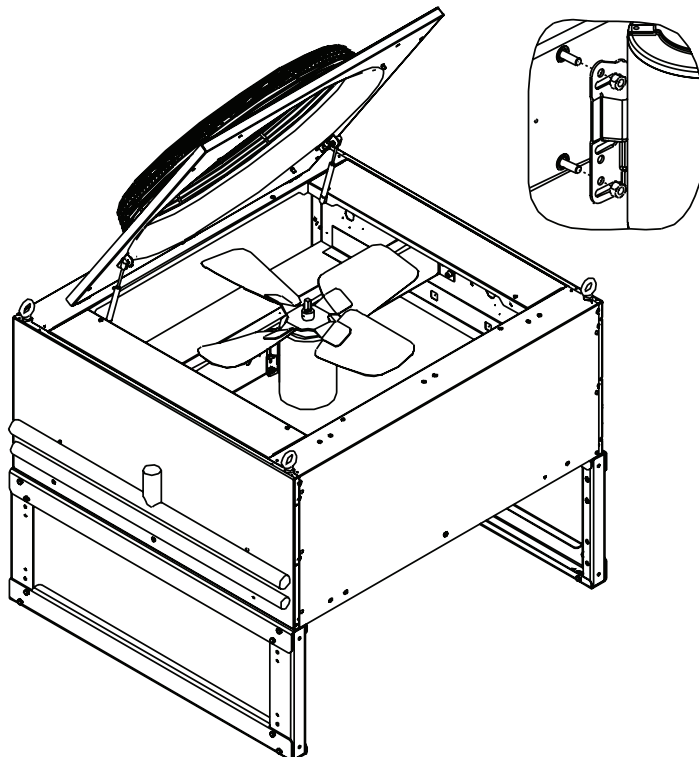
Be certain that all tools have been safely stowed away and that fans, guards and panels are in place and secure before returning the condenser to operation.

HINGED VENTURI PANELS

Cleaning the coil or servicing the fans or motors is easier on units provided with hinged venturi fan panels because they can be raised by removing bolts with self-retained nuts. The hinged panels are provided with gas struts that hold them securely in the upright position. With the panels raised, the coil can be cleaned by washing it down from the top. Service access to the fans and motors is greatly improved.

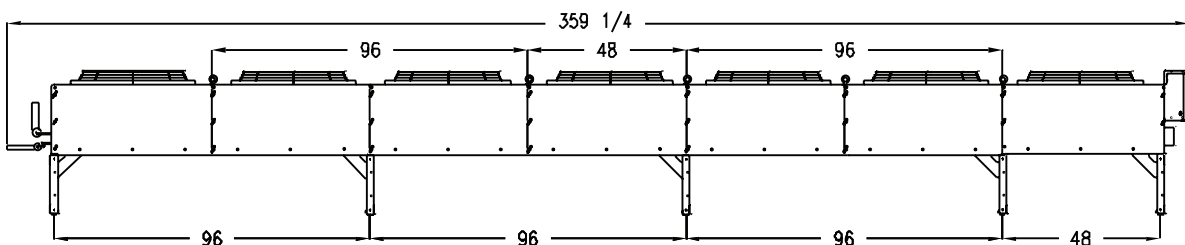
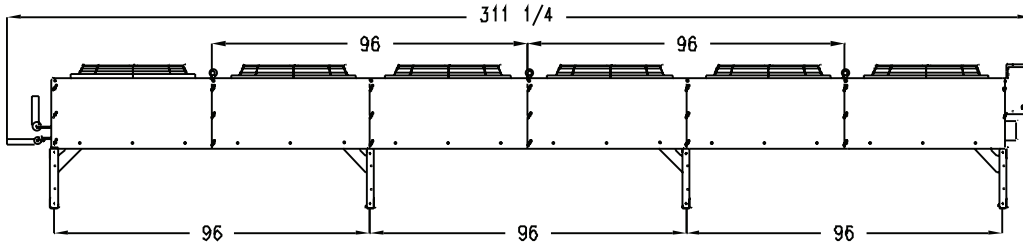
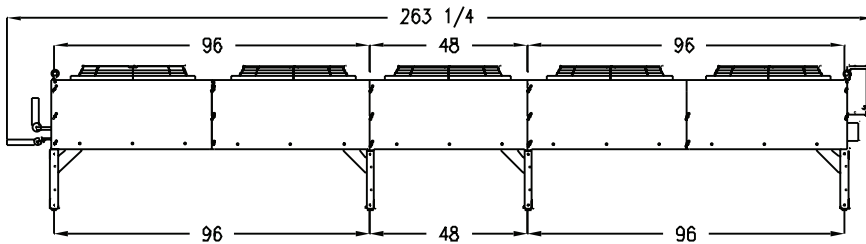
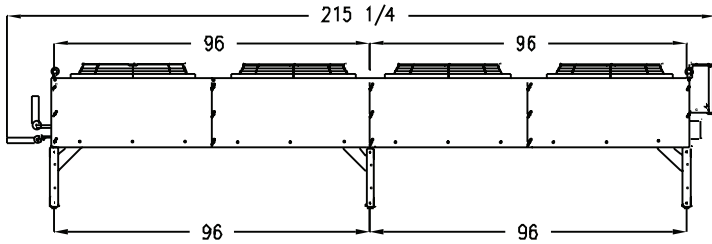
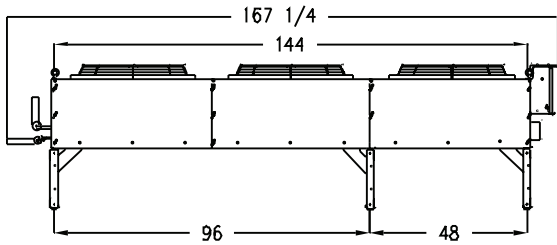
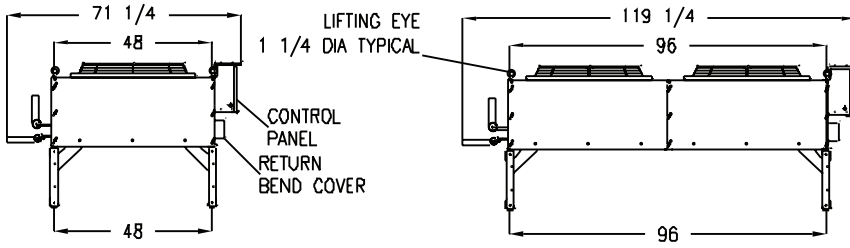
MOTOR REPLACEMENT

Motors can be easily replaced by removing the fan blade and (4) four nuts. The studs will partially retain the motor for re-installation.

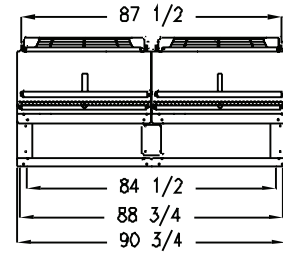
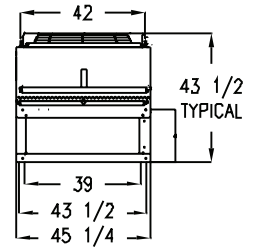


VERTICAL AIR DISCHARGE

CONDENSER LENGTH



CONDENSER WIDTH

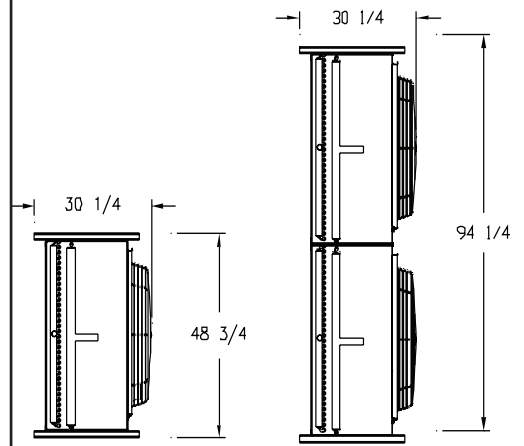
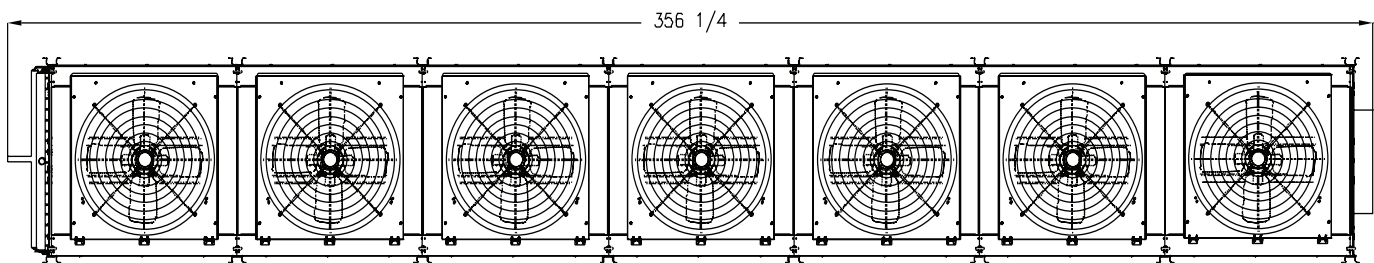
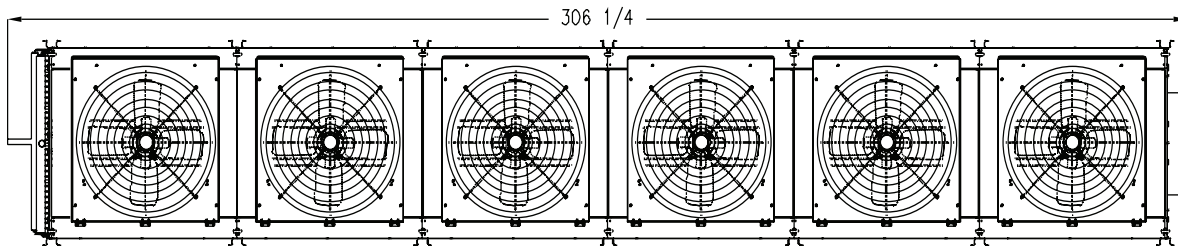
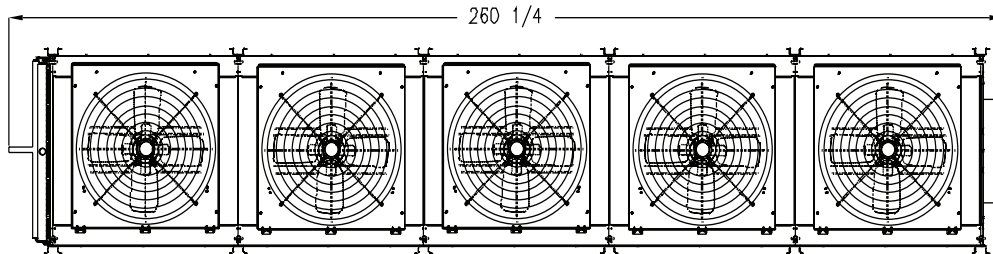
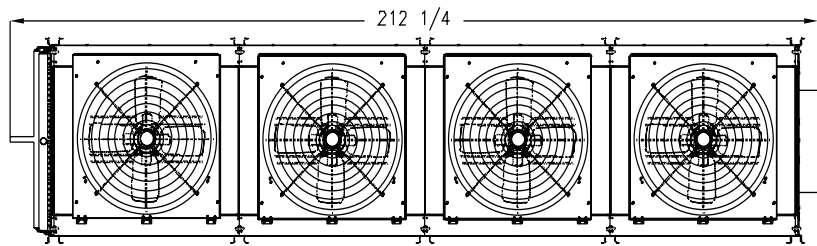
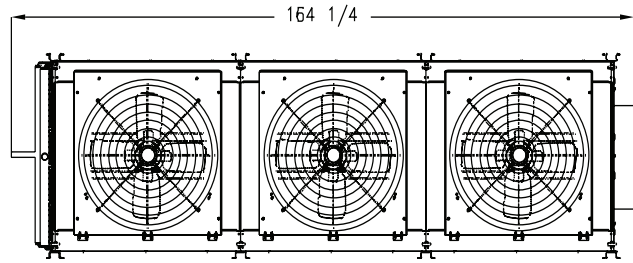
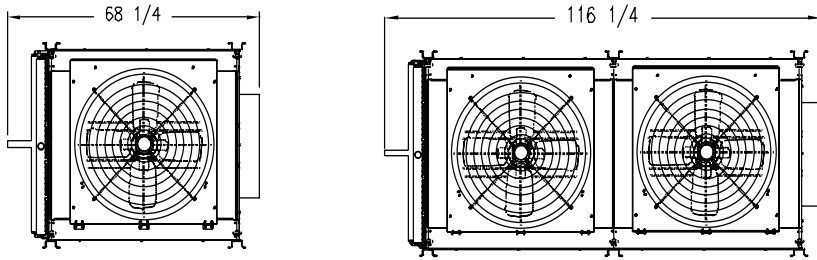


* All Dimensions are in inches.

HORIZONTAL AIR DISCHARGE

CONDENSER LENGTH

CONDENSER WIDTH



* All Dimensions are in inches.

REPLACEMENT PARTS

TABLE 12: REPLACEMENT MOTORS, BLADES AND GUARDS

Motor Data					Fan Data	
RPM	HP	Voltage	Part No.	Notes	Fan Blade	Fan Guard
1140	1.5	208-230/460/3	08216190	—	08221237	08528201
		575/3	08216195	—	08221237	08528201
		208-230/460/3	08216196	Totally Enclosed	08221237	08528201
850	1.5	208-230/460/3	08216193	—	08221239	08528201
850	1	208-230/460/3	08216191	—	08221238	08528201
		380/3	08216197	—	08221238	08528201
		575/3	08216198	—	08221238	08528201
550	1/3	208-230/460/3	08216192	—	08221239	08528201
VSEC	2	208-230	08216199	—	08221239	08528201
		460	08216200	—	08221239	08528201

SERVICE RECORD

DATE	MAINTENANCE PREFORMED	COMPONENTS REQUIRED

Replacement parts: www.parts@htpgusa.com

201 Thomas French Drive, Scottsboro, AL 35769 PHONE (256) 259-7400 FAX (256) 259-7478 www.htpgusa.com

Document Part # 08499181